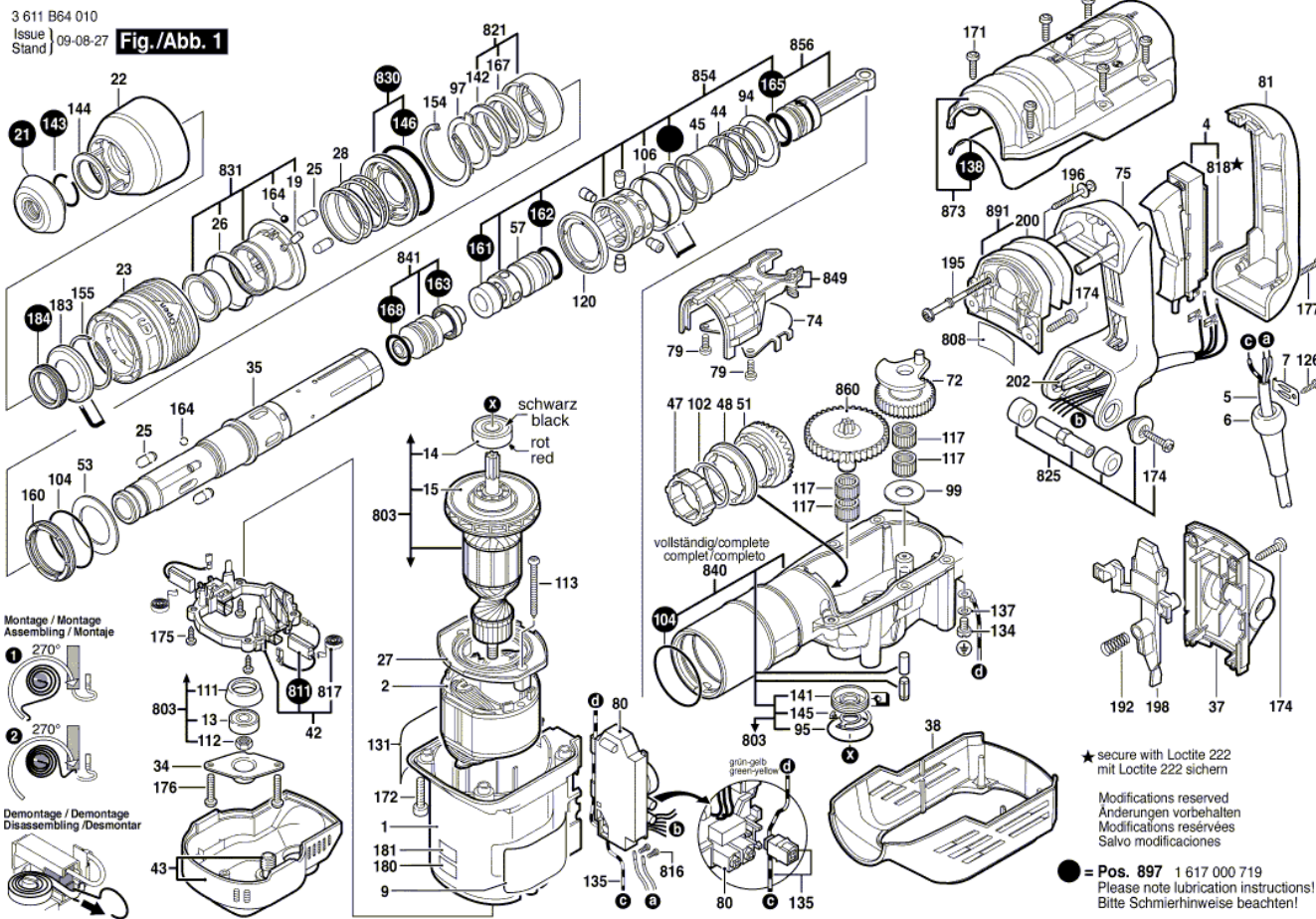


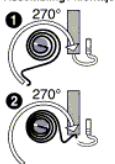


3 611 B64 010
Issue | 09-08-27
Stand |

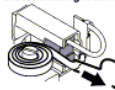
Fig./Abb. 1



Montage / Montage
Assembling / Montaje



Demontage / Demontage
Disassembling / Desmontar



x schwarz
black
rot
red

vollständig/complete
complet/completo

★ secure with Loctite 222
mit Loctite 222 sichern

Modifications reserved
Anderungen vorbehalten
Modifications réservées
Salvo modificaciones

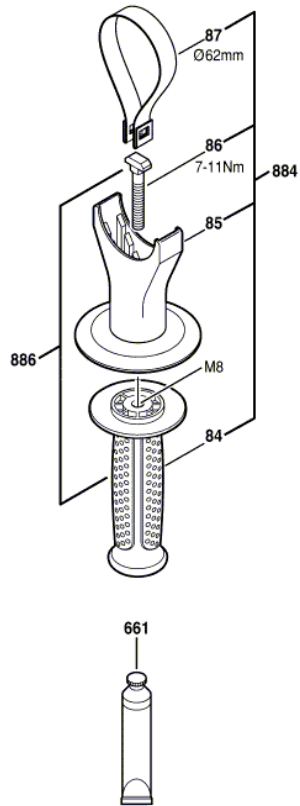
● = Pos. 897 1 617 000 719
Please note lubrication instructions!
Bitte Schmierhinweise beachten!

**BOSCH** PARTS AND
SERVICE ONLINE

1800 W. Central Mount Prospect IL 60056

Tool Number: 3611b64010

Model Number: 11264EVS

3 611 B64 010
Issue | 09-08-27
Stand |**Fig./Abb. 2**Änderungen vorbehalten
Modifications reserved
Modificaciones reservadas
Salvo modificaciones



Pos.	Part Number	Description	Pos.	Part Number	Description
1	1 615 102 161	Motor Housing	137	1 610 151 007	Spring Lock Washer
2	1 614 220 200	Field	138	1 611 015 053	Sealing Frame
4	1 617 200 120	On-Off Switch	141	1 610 290 066	Rotary shaft lip seal
5	1 614 461 035	Power supply cord	142	1 610 290 069	Rotary shaft lip seal
6	1 600 703 035	Grommet	143	1 614 601 021	Retaining ring
7	1 601 302 019	Fastening Clamp	144	1 610 251 006	Supporting Disc
9	1 611 110 D61		145	1 610 119 012	Spring retaining ring
13	1 610 900 026	Deep-Groove Ball Bearing	146	1 610 210 202	
14	1 610 905 028	Deep-Groove Ball Bearing	154	2 916 660 023	Spring retaining ring
15	1 616 610 090	Fan	155	1 614 601 020	Retaining ring
19	1 613 200 019	Cylindrical Roller	160	1 610 290 095	Damping Ring
21	1 610 508 057	Protective Cap	161	1 610 290 094	Damping Ring
22	1 610 591 045	Protection Sleeve	162	1 610 210 204	O-Ring
23	1 610 499 069	Guide Sleeve	163	1 610 290 065	Seal ring
25	1 612 300 034	Stopping Device	164	1 903 230 011	Ball
26	1 610 224 010	Pressure Spring	165	1 610 210 079	O-Ring
27	1 610 591 028	Air-Deflector Ring	167	1 610 283 033	Rotary shaft lip seal
28	1 614 621 008	Compression Spring	168	1 610 210 144	O-Ring
34	1 610 516 013	Flange	171	1 613 435 016	Torx Oval-Head Screw
35	1 615 806 220	Hammer Pipe	172	1 613 435 013	Torx Oval-Head Screw
37	1 615 500 393	Bearing Pedestal	174	1 613 435 012	Torx Oval-Head Screw
38	1 615 190 159	Covering hood	175	2 912 401 018	Tapping Screw
42	1 614 336 085		176	1 613 435 012	Torx Oval-Head Screw
43	1 615 500 410		177	1 603 435 051	Tapping Screw
44	1 614 617 004	Compression Spring	183	1 610 116 007	Stop Sleeve
45	1 610 499 070	Control Bushing	184	1 610 290 096	Damping Ring
47	1 610 300 064	Gear Sleeve	192	1 614 611 019	Compression Spring
48	1 616 334 012	Clutch Sleeve	195	1 613 490 015	Torx Oval-Head Screw
51	1 616 333 041	Crown Gear	196	1 613 435 019	
53	1 610 290 068	Support Disc	198	1 618 900 001	Control Lever
57	1 618 710 091	Striker	200	1 610 284 000	Bellows
72	1 616 317 085	Eccentric Cog Wheel	202	1 611 010 006	Switch Hook
74	1 611 921 001	Guide Plate	661	1 615 430 010	Grease Tube
75	1 615 132 118	Handle	803	1 614 011 128	Armature
79	1 613 435 015	Torx Oval-Head Screw	808	1 601 106 035	
80	1 617 233 048		811	1 617 014 144	
81	1 615 132 088	Handle Cover	816	1 609 271 281	Socket head cap screw
84	1 612 025 060	Auxiliary Handle	817	1 614 652 004	Spiral Spring
85	1 618 040 074	index turning toolholder	818	2 910 011 082	Socket head cap screw
86	1 613 490 002	T-Head Bolt	821	1 617 000 A02	
87	1 611 316 019	Clamping Band	825	1 617 000 706	Bearing Shaft
94	1 610 102 056	Friction Washer	830	1 617 000 717	
95	1 610 210 173	O-Ring	831	1 617 000 720	
97	1 610 031 005	Locking Washer	840	1 617 000 A06	
99	1 610 102 059	Support Disc	841	1 617 000 899	Striker Pin
102	1 610 102 057	Shim	849	1 617 000 839	Control Fork
102	1 610 102 058	Shim	854	1 617 000 718	
104	1 610 210 160	O-Ring	856	1 617 000 A04	
106	1 610 499 073		860	1 617 000 A37	
111	1 610 290 064	Bushing	873	1 617 000 A05	
112	1 613 300 008	Hex Nut	884	1 612 025 055	Auxiliary Handle
113	1 613 435 009	Tapping Screw	886	1 617 000 459	Auxiliary Handle
117	1 610 913 029		891	1 617 000 A26	
120	1 610 590 019	Stop Sleeve	897	1 617 000 719	
126	2 910 211 019	Tapping Screw			
131	1 611 110 C71	Manufacturer's nameplate			
134	2 910 110 116	Pan head screw			
135	1 614 431 031	Connecting Cable			